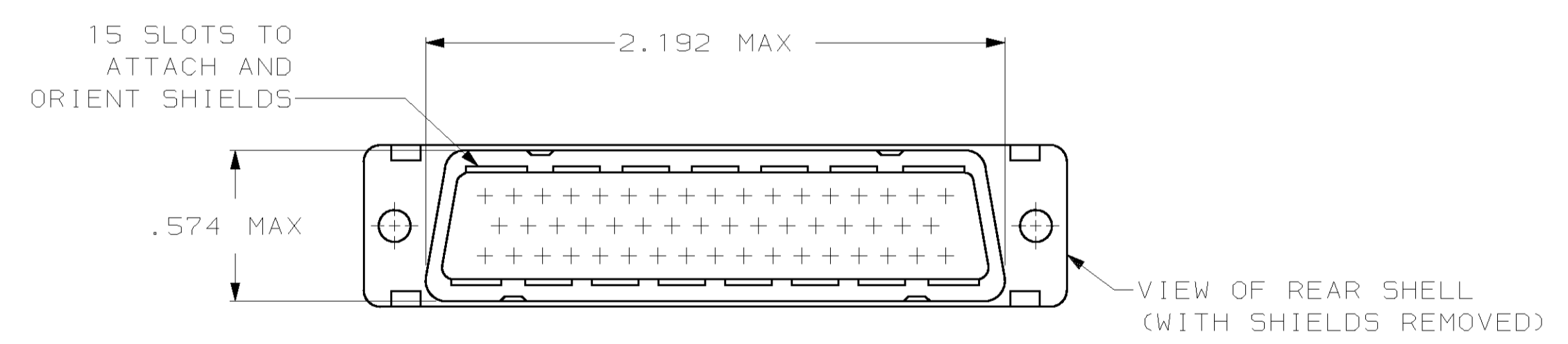
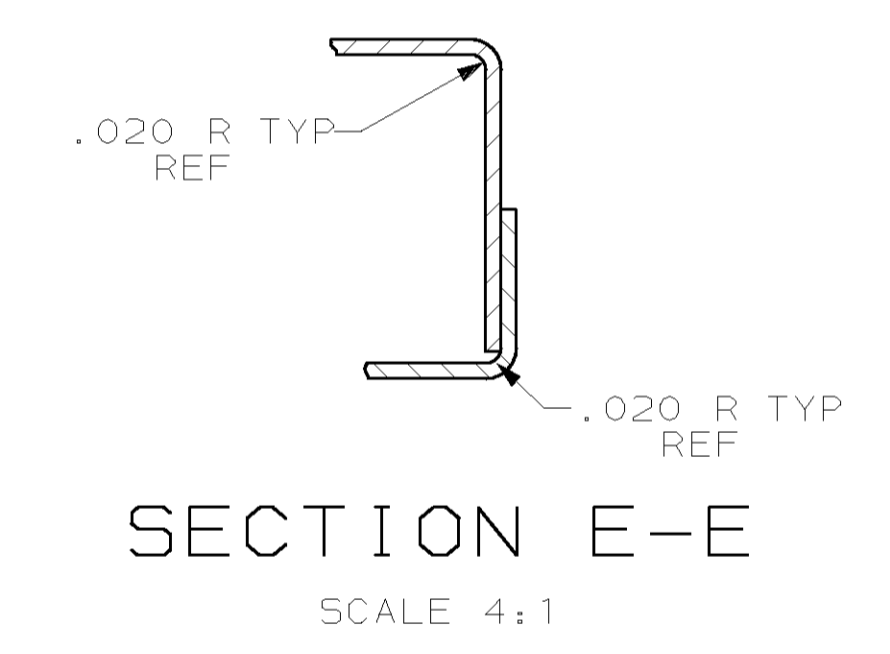
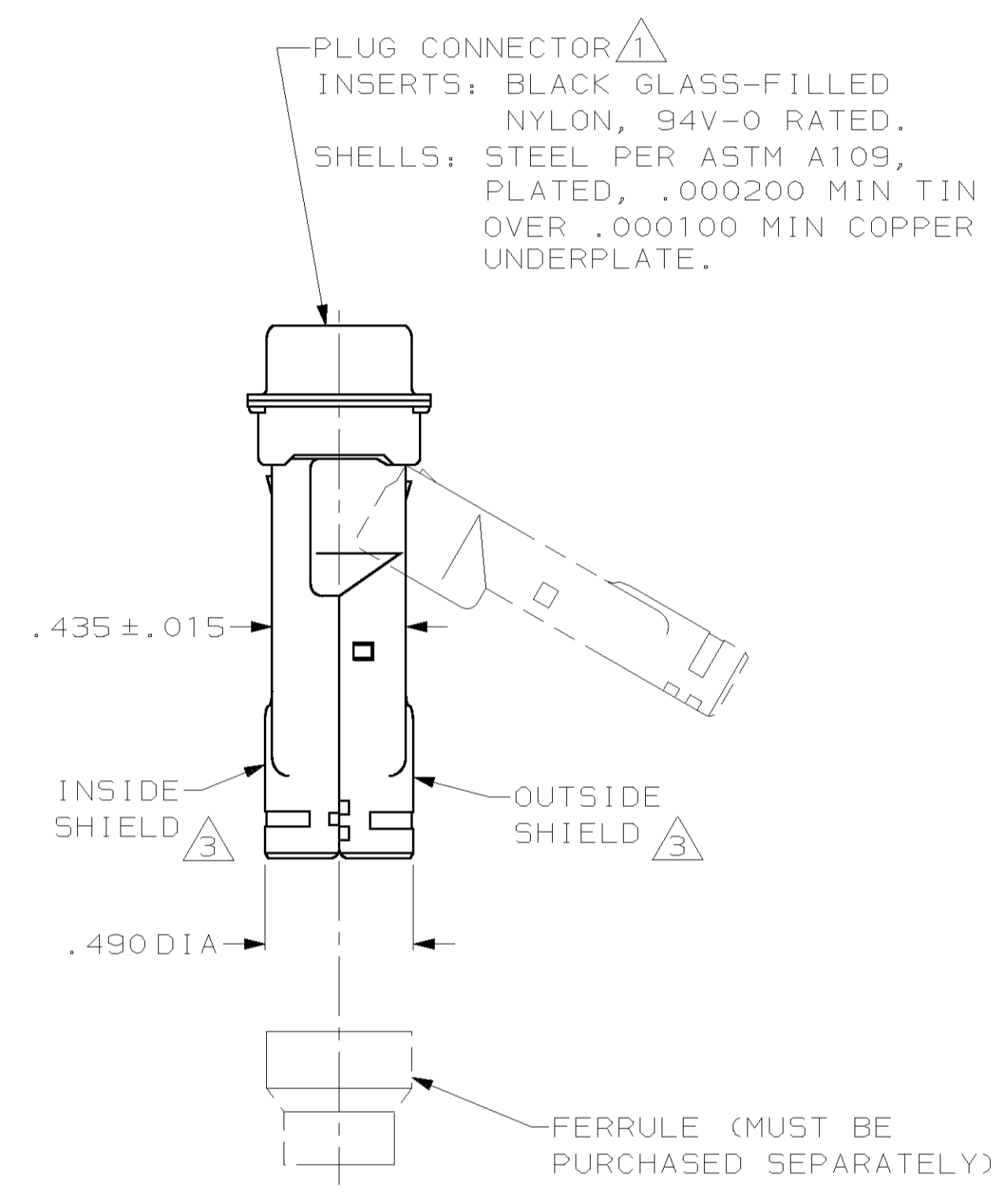
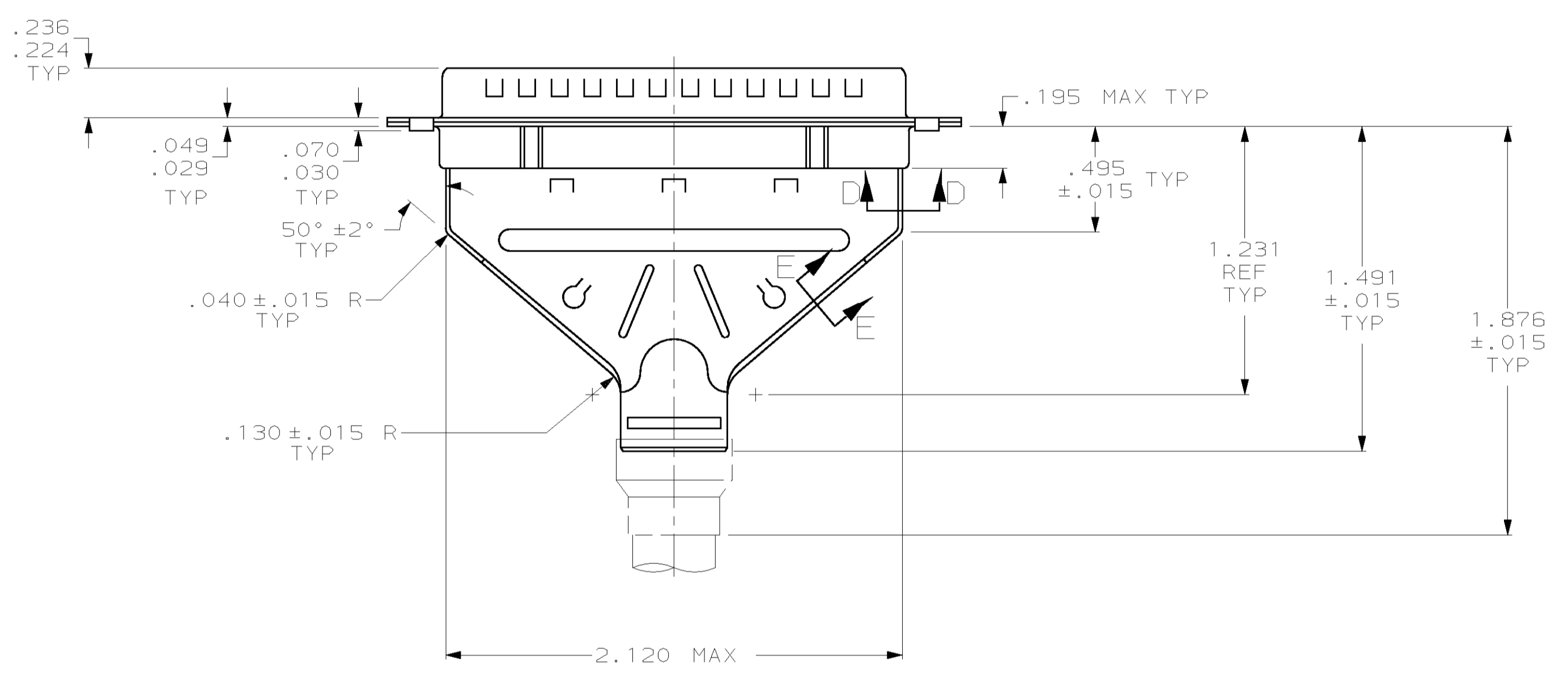
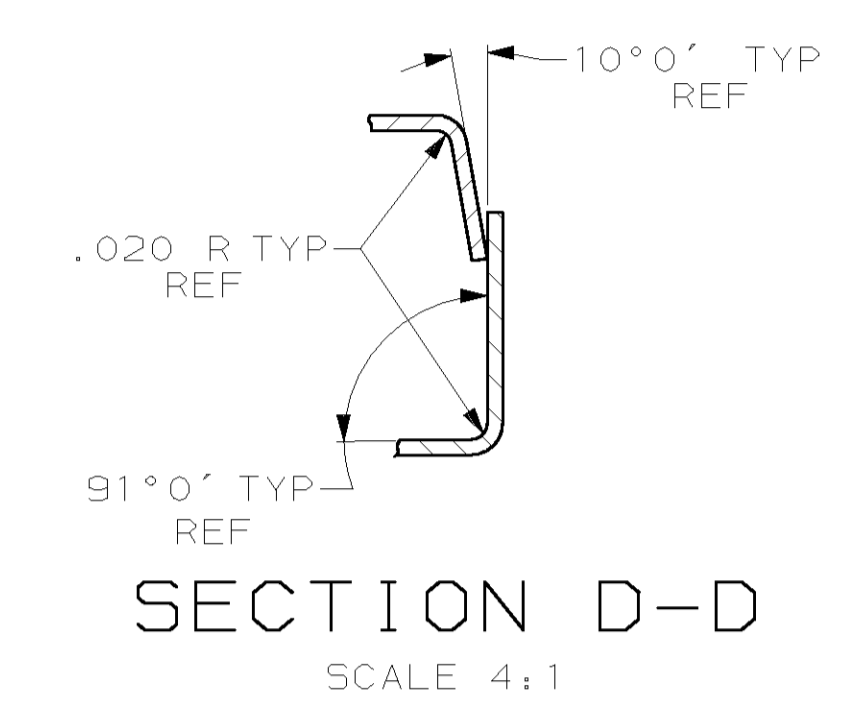
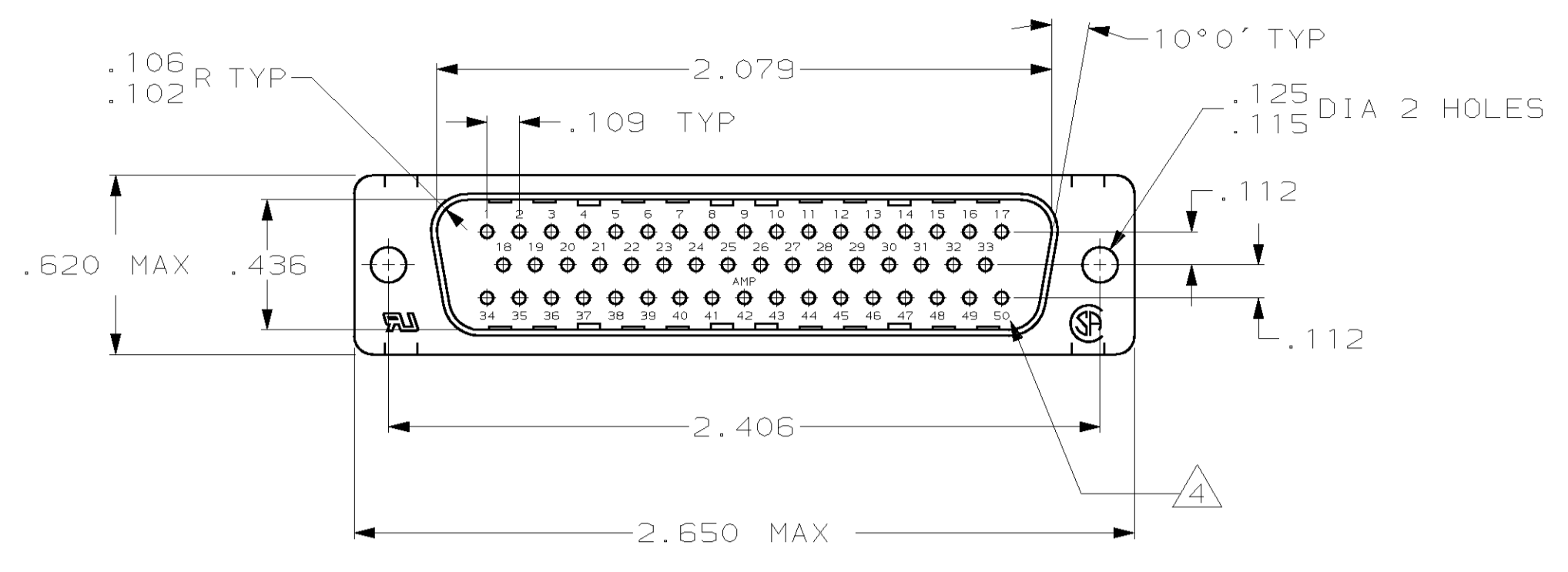


LOC		DIST		REVISIONS			
GP	00	TR	LYR	DESCRIPTION	DATE	DWN	APPR
		0		RELEASED PER EC 0513-0196-03	31JUL03	JR	JG



- ① PLUG ACCEPTS SIZE 20 PIN CONTACTS (CONTACTS MUST BE ORDERED SEPARATELY).
- 2. ALL PARTS SHIPPED UNASSEMBLED, EACH PART INDIVIDUALLY BULK PACKED.
- ③ SHIELDS: MATERIAL-.020 THICK STEEL, PER ASTM A109, PLATED .000200 MIN TIN OVER .000100 MIN COPPER UNDERPLATE.
- ④ RAISED CAVITY IDENTIFICATION AND AMP TRADEMARK.

1658652-1
PART NUMBER

THIS DRAWING IS A CONTROLLED DOCUMENT.		DWN J. REITZEL 31JUL03	AMP Incorporated Harrisburg, PA 17105-3608	
DIMENSIONS: INCH		CHK S. BOJASH 31JUL03	NAME M. WALMSLEY 31JUL03	RESTRICTED TO
TOLERANCES UNLESS OTHERWISE SPECIFIED:		PRODUCT SPEC 108-40030		KIT, PLUG, SHIELDING HARDWARE, SIZE 5, 50 POSN, AMPLIMITE™ HDP-20
0 PLC ±-		APPLICATION SPEC 114-40030		
MATERIAL SEE CALL OUT		FINISH SEE CALL OUT		SIZE A1
WEIGHT SEE CALL OUT		SCALE 2:1		SHEET 1 OF 1
CUSTOMER DRAWING		DRAWING NO. 00779		REV 0